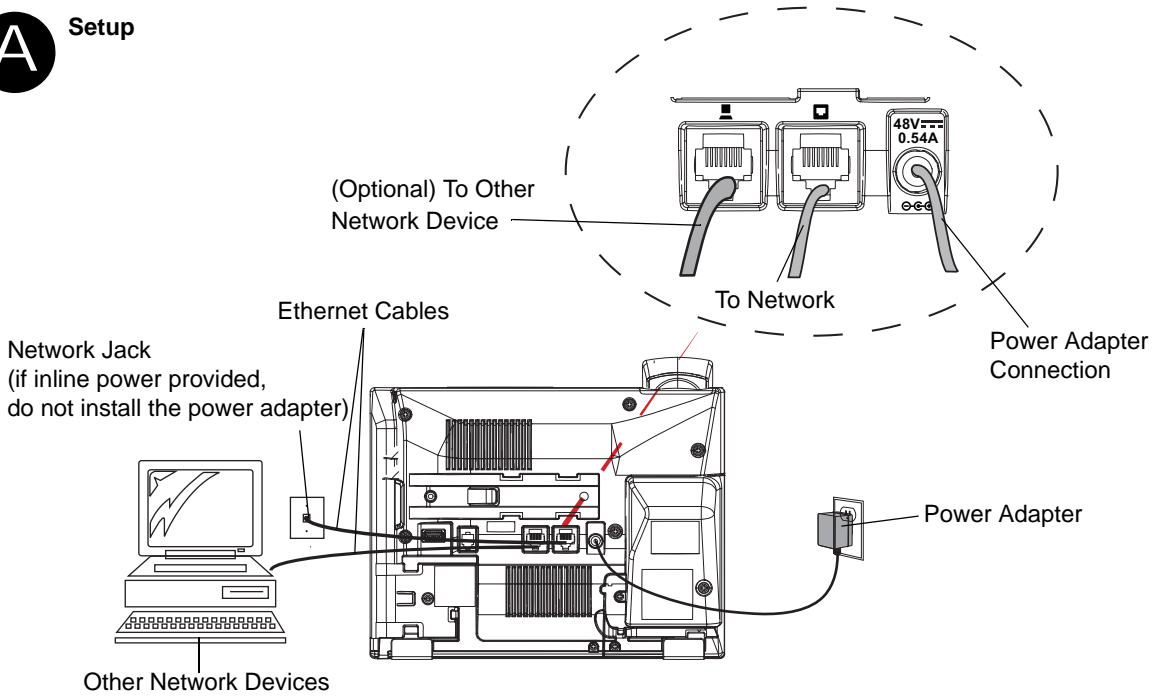
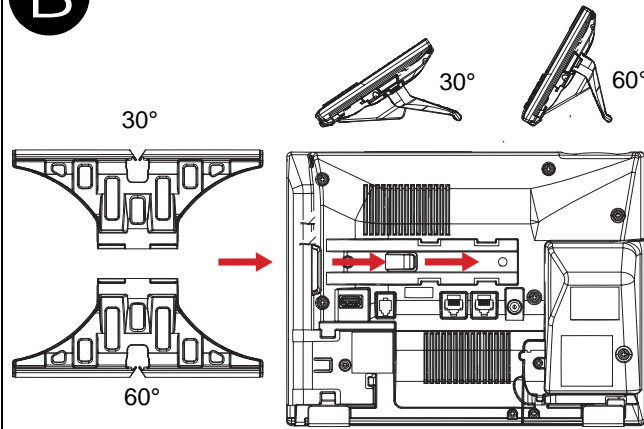


MITEL MiVOICE 6940 IP PHONE

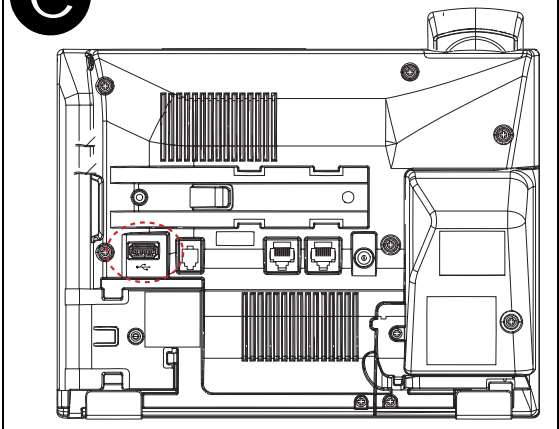
A Setup



B Stand Attachment



C USB Headset Connection (Optional)



The Mitel word and logo are trademarks of Mitel Networks Corporation, including itself and subsidiaries and authorized entities. Any reference to third party trademarks are for reference only and Mitel makes no representation of the ownership of these marks. Mitel's Power over Ethernet (PoE) Powered Device (PD) products are covered by one or more of the U.S. patents (and any foreign patent counterparts thereto) identified at Mitel's website: www.mitel.com/patents. For more information on the PD patents that are licensed, please refer to www.cmspatents.com. © Copyright 2017, Mitel Networks Corporation. All Rights Reserved.

Important Safety Instructions and Precautions

WARNING: DO NOT CONNECT DIRECTLY TO THE PUBLIC SWITCHED TELEPHONE NETWORK (PSTN). ANY CONNECTION OF THIS PHONE TO AN OFF PREMISE APPLICATION, AN OUT OF PLANT APPLICATION, ANY OTHER EXPOSED PLANT APPLICATION, OR TO ANY EQUIPMENT OTHER THAN THE INTENDED APPLICATION MAY RESULT IN A SAFETY HAZARD, AND/OR DEFECTIVE OPERATION, AND/OR EQUIPMENT DAMAGE. "EXPOSED PLANT" MEANS WHERE ANY PORTION OF THE CIRCUIT IS SUBJECT TO ACCIDENTAL CONTACT WITH ELECTRIC LIGHTING OR POWER CONDUCTORS OPERATING AT A VOLTAGE EXCEEDING 300 V BETWEEN CONDUCTORS OR IS SUBJECT TO LIGHTNING STRIKES.

WARNING: THE SOCKET OUTLET, IF USED, SHALL BE LOCATED NEAR THE EQUIPMENT AND SHALL BE EASILY ACCESSIBLE BY THE USER.

WARNING: USE MITEL APPROVED POWER ADAPTER PART NUMBER 50006814, 50006822, 50006824, OR 51301151. ALTERNATIVELY, IF POWER OVER THE LAN IS AVAILABLE, IT SHALL BE COMPLIANT WITH IEEE 802.3af OR 802.3at (NEGOTIATED AS REQUIRED.)

WARNING: USE ONLY THE HANDSET PROVIDED WITH YOUR IP PHONE. USE OF ANY OTHER HANDSET WITH YOUR IP PHONE MAY HAVE THE POTENTIAL TO CAUSE HEARING LOSS IN THE EVENT OF A LIGHTNING STRIKE ON THE OUTSIDE PLANT WIRING. THIS PRODUCT'S HANDSET EARCAP REGION IS SLIGHTLY MAGNETIC AND MAY PICK UP SMALL METALLIC OBJECTS, SUCH AS 26/6 GAUGE STAPLES. PLEASE CHECK THE EARCAP REGION FOR METALLIC OBJECTS BEFORE USE.

When using your phone equipment, basic safety precautions should always be followed to reduce the risk of fire, electric shock and injury to persons, including the following:


- Do not use this product near water, for example, near a bath tub, wash bowl, kitchen sink or laundry tub, in a wet basement or near a swimming pool.
- Avoid using a phone (other than a cordless type) during an electrical storm. There may be a remote risk of electric shock from lightning.
- Do not use the phone to report a gas leak in the vicinity of a leak.

Maintenance and Repair: There are no user serviceable parts inside the phones. For repairs, return the phone to an authorized Mitel dealer.

These notices may appear on the product or in the technical documentation:

DANGER	Danger indicates an imminently hazardous situation which, if not avoided, will result in death or serious injury.
WARNING	Warning indicates a potentially hazardous situation which, if not avoided, could result in death or serious injury.
CAUTION	Caution indicates a potentially hazardous situation which, if not avoided, may result in minor or moderate injury and/or damage to the equipment or property.

This symbol may appear on the product:

	The exclamation point within an equilateral triangle indicates that important operating and maintenance (servicing) instructions are included in the literature accompanying the product.
-----------------------------------------------------------------------------------	-------------------------------------------------------------------------------------------------------------------------------------------------------------------------------------------

Description

Congratulations on your purchase of the Mitel MiVoice 6940 IP phone!

The Mitel MiVoice 6940 IP phone is a top-of-the-line executive phone with a large high-resolution touch display that delivers graphically rich applications. As a full-feature enterprise-class phone, the Mitel MiVoice 6940 IP phone provides users a wide range of productivity enhancing features such as programmable self-labeling keys and intuitive state sensitive softkeys.

The Mitel MiVoice 6940 IP phone features superior sound quality with a cordless Bluetooth handset featuring enhanced audio capabilities, a speakerphone that utilizes advanced audio processing to achieve richer and clearer handsfree conversations, and native Bluetooth and USB headset functionality.

The 6940 IP phone supports MobileLink, features that provide seamless mobile integration using Bluetooth wireless technology. MobileLink highlights include the ability to:

- Answer a mobile phone call using your Mitel MiVoice 6940 IP phone.
- Effortlessly move mobile call audio between the Mitel MiVoice 6940 IP phone and your mobile phone.
- Sync your mobile phone's contact list with your Mitel MiVoice 6940 IP phone.

Accommodating today's high speed networks through dual Gigabit Ethernet ports, the Mitel MiVoice 6940 IP phone also offers plenty of support for Mitel and third-party peripherals and has an environmentally efficient PoE class 3 rating. The Mitel MiVoice 6940 IP phone is one of the most advanced desktop IP phones available on the market today and is ideal for any enterprise executive or manager, Teleworker, and Contact Center employee.

The Mitel MiVoice 6940 IP phone is compatible with select Mitel communication solutions and supports both MiNet and SIP protocols through appropriate firmware installation. The 6900 series phones have MiNet firmware pre-installed. For SIP deployments, upgrade to the latest SIP firmware release.

Phone Features

- 7" WVGA (800x480) color TFT capacitive touch-screen LCD display with brightness controls
- Built-in two-port, 10/100/1000 Gigabit Ethernet switch
- Embedded Bluetooth 4.0
- USB 2.0 port (500mA maximum)
- Cordless Bluetooth handset
- Enhanced wideband, full-duplex speakerphone for handsfree calls
- Extensive support for peripherals and modules
- AC power adapter (sold separately)
- Programmable, multi-function, self-labeling keys and intuitive state sensitive softkeys
- MobileLink support - seamless mobile integration using Bluetooth wireless technology

Supporting Documentation

To access phone and system-specific documentation:

1. Log in to Mitel Connect.
2. In left-hand menu, click **Mitel OnLine**.
3. In the **Support** section, click **Product Documentation**.
4. From the **Phones** drop-down menu, select **SIP Phones**.

Requirements

- Mitel communications platform with firmware release that supports 6900 phones.
- Access to a configuration server through Trivial File Transfer Protocol (TFTP), File Transfer Protocol (FTP), or HTTP(s) server.
- Ethernet/Fast Ethernet LAN (10/100 Mbps) (Gigabit Ethernet LAN [1000 Mbps] recommended).

- Category 5/5e straight-through cabling (Category 6 straight-through cabling required for optimum Gigabit Ethernet performance).
- For Ethernet networks that supply inline power to the phone (IEEE 802.3af/802.3at) use an Ethernet cable to connect from the phone directly to the network for power (no 48V AC power adapter required if using Power-over-Ethernet [PoE]).
- For Ethernet networks that DO NOT supply inline power to the phone, use only the Mitel approved power adapter to connect from the DC power port on the phone to a power source, or use a PoE power injector or a PoE switch.


Network and Power Connections (See Figure A)

The Mitel MiVoice 6940 IP phone can be set up as a direct network connection to the Ethernet wall jack or as a shared network connection as a pass-through if connecting the phone to a computer or another network device.


NOTE: This product is designed for indoor use only and for ambient temperatures at or below 50° C (122° F).

NOTE: The phone must be connected only to indoor routed PoE or Ethernet wiring.

Direct Network Connection

Located on the back of the phone are two fully switched Ethernet cable ports. The port marked with  is used to connect the phone to the network, as well as provide power to your phone (if required).

Shared Network Connection


To connect a network device (such as a computer) to the phone, connect an Ethernet cable into the network port on the back of the phone marked with . Plug the other end of the Ethernet cable into the network jack on the network device for which you are sharing the network connection.

NOTE: The PC jack on the 6940 IP phone does not supply inline power onto other network devices.

NOTE: All Ethernet cables used must be minimum Category 5/5e straight-through cables.

Connecting to the Network and to Power

If your network provides 802.3af/802.3at compliant inline power, the phone is powered through the network.

1. Connect an Ethernet cable into the network port marked with  at the back of your phone.
2. Plug the other end of the Ethernet cable directly into the network jack on the wall.

If your network does not provide inline power, use the power adapter (sold separately) with your phone and plug your phone into a power source.

Desk Installation (See Figure B)

For desk installation of the Mitel MiVoice 6940 IP phone a reversible stand is included that attaches to the back of the phone above the various ports. Two viewing angles (30° low angle and 60° high angle) are available allowing users to personalize their phone viewing preference.

1. Locate the stand insertion area on the back of the phone (above the various ports).
2. Carefully insert the stand into the insertion area and slide the stand towards the right until it snaps in place.
3. The orientation of the stand determines the viewing angle. If the bottom of the stand is installed facing the top of the phone, the viewing angle will be 30°. If the bottom of the stand is installed facing the bottom of the phone, the viewing angle will be 60°.

Wall Installation

The Mitel MiVoice 6940 IP phone can be mounted to a wall using the Mitel 6900 Series Wall Mount Kit (optional accessory). The Mitel 6900 Series Wall Mount Kit is designed to be used with all 6900 Series IP phones allowing you to easily and securely mount your phone in one of two ways:

- Directly to the wall
- On top of an existing Telco wall plate

NOTE: Refer to the *Mitel 6900 Series Wall Mount Kit Installation Guide* for additional product and installation details.

USB Headset Connection (See Figure C)

Your Mitel MiVoice 6940 IP phone includes a cordless Bluetooth handset but also supports Bluetooth and USB headsets. For instructions on how to pair and connect a Bluetooth headset, refer to the *Mitel MiVoice 6940 IP Phone User Guide*.

To connect a USB headset:

1. On the back of the phone, locate the USB input port.
2. Carefully insert the headset's USB cable into the USB input port.

NOTE: Refer to the documentation provided with your USB headset for usage instructions.

Notice to Canadian Customers

IC: 173A-AQUA4 and IC: 173A-AQUA1

This device complies with Industry Canada license-exempt RSS standard(s). Operation is subject to the following two conditions: (1) this device may not cause interference, and (2) this device must accept any interference, including interference that may cause undesired operation of the device.

This Class B digital apparatus complies with Canadian ICES-3 (B)/NMB-3(B).

Avis aux clients canadiens

IC: 173A-AQUA4 and IC: 173A-AQUA1

Le présent appareil est conforme aux CNR d'Industrie Canada applicables aux appareils radio exempts de licence. L'exploitation est autorisée aux deux conditions suivantes : (1) l'appareil ne doit pas produire de brouillage, et (2) l'utilisateur de l'appareil doit accepter tout brouillage radioélectrique subi, même si le brouillage est susceptible d'en compromettre le fonctionnement.

Cet appareil numérique de la classe B est conforme à la norme NMB-003 du Canada.

RF Exposure Canada

This device is compliant to the RF exposure requirements in Industry Canada RSS-102 issue 5.

Exposition RF Canada

Conformité des appareils de radiocommunication aux limites d'exposition humaine aux radiofréquences (toutes bandes de fréquences)

Notice to U.S. Customers

FCC ID: EHTAQUA4

FCC Registration Number: US:BN2IPNANAQUA4

This device complies with part 15 of the FCC Rules. Operation is subject to the following two conditions: (1) This device may not cause harmful interference, and (2) this device must accept any interference received, including interference that may cause undesired operation.

NOTE: This equipment has been tested and found to comply with the limits for a Class B digital device, pursuant to Part 15 of the FCC Rules. These limits are designed to provide reasonable protection against harmful interference in a residential installation. This equipment generates, uses, and can radiate radio frequency energy and, if not installed and used in accordance with the instructions, may cause harmful interference to radio communications. However, there is no guarantee that interference will not occur in a particular installation. If this equipment does cause harmful interference to radio or television reception, which can be determined by turning the equipment off and on, the user is encouraged to try to correct the interference by one or more of the following measures:

- Reorient or relocate the receiving antenna.
- Increase the separation between the equipment and receiver.
- Connect the equipment into an outlet on a circuit different from that to which the receiver is connected.
- Consult the dealer or an experienced radio/TV technician for help.

NOTE: Changes or modifications not expressly approved by Mitel Networks™ Corporation may void the user's right to operate the equipment.

The handset provided with this equipment is hearing aid compatible.

This equipment is not for connection to the telephone network or public coin phone service. It is only for use when connected to Mitel systems.

WHEN PROGRAMMING EMERGENCY NUMBERS AND (OR) MAKING TEST CALLS TO EMERGENCY NUMBERS

- Remain on the line and briefly explain to the dispatcher the reason for the call.
- Perform tests during off-peak hours such as early morning or late evenings.

RF Exposure U.S.

This device has been evaluated under FCC for RF Radiation Exposure and found compliant to the requirements as set forth in CFR47 section 2.1091 and section 2.1093 addressing RF exposure from Radio frequency devices.

Notice to Customers in Australia

- Do not use in areas where there are explosive hazards.
- Do not use the Bluetooth handset in environments where there is a danger of ignition of flammable gases.

Notice to Customers in EU Countries

RF 2.400 – 2.483 MHz (10mW)

English

Hereby, Mitel declares that the radio equipment type 6940 IP Phone is in compliance with Directive 2014/53/EU. The full text of the EU declaration of conformity is available at <http://www.mitel.com/regulatory-declarations>.

Italiano

Il fabbricante, Mitel Networks, dichiara che il tipo di apparecchiatura radio 6940 IP Phone è conforme alla direttiva 2014/53/UE. Il testo completo della

dichiarazione di conformità UE è disponibile al seguente indirizzo Internet: <http://mitel.ca/regulatory-declarations>.

Nederlands

Hierbij verklaar ik, Mitel Net-works, dat het type radioapparaat 6940 IP Phone conform is met Richtlijn 2014/53/EU. De volledige tekst van de EUconformiteitsverklaring kan worden geraadpleegd op het volgende internetadres: <http://mitel.ca/regulatory-declarations>.

Français

Le soussigné, Mitel Networks, déclare que l'équipement radioélectrique du type 6940 IP Phone est conforme à la directive 2014/53/UE. Le texte complet de la déclaration UE de conformité est disponible à l'adresse internet suivante: <http://mitel.ca/regulatory-declarations>.

Español

Por la presente, Mitel Net-works, declara que el tipo de equipo radioeléctrico 6940 IP Phone es conforme con la Directiva 2014/53/UE. El texto completo de la declaración UE de conformidad está disponible en la dirección Internet siguiente: <http://mitel.ca/regulatory-declarations>.

Português

O(a) abaixo assinado(a) Mitel Networks declara que o presente tipo de equipamento de rádio 6940 IP Phone está em conformidade com a Diretiva 2014/53/UE. O texto integral da declaração de conformidade está disponível no seguinte endereço de Internet: <http://mitel.ca/regulatorydeclarations>.

Deutsche

Hiermit erklärt Mitel Networks, dass der Funkanlagentyp 6940 IP Phone der Richtlinie 2014/53/EU entspricht. Der vollständige Text der EUKonformitätserklärung ist unter der folgenden Internetadresse verfügbar: <http://mitel.ca/regulatory-declarations>.

Précautions et consignes importantes en matière de sécurité (Canada)

AVERTISSEMENT : NE CONNECTEZ PAS VOTRE APPAREIL DIRECTEMENT AU RÉSEAU TÉLÉPHONIQUE PUBLIC COMMUTÉ (RTPC). TOUTE CONNEXION DE CE TÉLÉPHONE À UNE INSTALLATION HORS LIEUX, À UNE INSTALLATION HORS RÉSEAU, À TOUTE AUTRE INSTALLATION D'UN RÉSEAU NON PROTÉGÉ, OU À TOUT ÉQUIPEMENT AUTRE QUE LES INSTALLATIONS PRÉVUES PEUT ENTRAÎNER DES RISQUES POUR LA SÉCURITÉ, ET/OU UN FONCTIONNEMENT DÉFAILLANT, ET/OU DES DOMMAGES À L'ÉQUIPEMENT. « RÉSEAU NON PROTÉGÉ » SIGNIFIE TOUTE PORTION D'UN CIRCUIT SUJETTE À UN CONTACT ACCIDENTEL AVEC UN ÉCLAIRAGE ÉLECTRIQUE OU DES FILS ÉLECTRIQUES FONCTIONNANT SOUS UNE TENSION DE PLUS DE 300 V ENTRE LES CONDUCTEURS, OU SUJETTE À LA FOUDRE.

AVERTISSEMENT : LA PRISE DE SORTIE, SI ELLE EST UTILISÉE, DOIT ÊTRE INSTALLÉE PRÈS DU MATÉRIEL ET FACILEMENT ACCESSIBLE PAR L'USAGER.

AVERTISSEMENT : UTILISEZ L'ADAPTATEUR C.A PORTANT LE NUMÉRO DE PIÈCE 50006814, 50006822, 50006824, OU 51301151. SI L'ALIMENTATION SUR RÉSEAU LOCAL EST DISPONIBLE, CELLE-CI DOIT ÊTRE CONFORME À LA NORME IEEE 802.3af OU 802.3at (NEGOCIE AU BESOIN.)

AVERTISSEMENT : UTILISER UNIQUEMENT LE COMBINÉ FOURNI AVEC VOTRE TÉLÉPHONE IP. L'UTILISATION DE TOUT AUTRE COMBINÉ AVEC VOTRE TÉLÉPHONE IP RISQUE DE CAUSER UNE PERTE AUDITIVE S'IL Y A DÉCHARGE ÉLECTRIQUE AU CÂBLAGE EXTÉRIEUR. LA PARTIE DE L'ÉCOUTEUR DU COMBINÉ EST LÉGÈREMENT MAGNÉTIQUE ET PEUT RAMASSER DE PETITS OBJETS MÉTALLIQUES, TELS QUE LES AGRAFES DE CALIBRE 26/6. S'IL VOUS PLAÎT VÉRIFIER LA RÉGION DU COMBINÉ POUR LES OBJETS MÉTALLIQUES AVANT DE L'UTILISER.

Lorsque vous utilisez de l'équipement téléphonique, observez toujours les consignes de sécurité afin de réduire les risques de feu, de choc électrique ou de blessure, notamment :

- n'utilisez pas ce produit à proximité de l'eau, par exemple près d'une baignoire, d'une cuvette, d'un évier ou d'un bac à laver, ni dans un sous-sol mouillé ou près d'une piscine;

- évitez d'utiliser un téléphone (hormis un modèle sans fil) pendant un orage. Un éclair pourrait présenter un risque de choc électrique;
- n'utilisez pas le téléphone pour signaler une fuite de gaz si vous vous trouvez à proximité de celle-ci.

Entretien et réparation : Aucune des pièces que renferment ces appareils ne peut être entretenue par l'utilisateur. Pour procéder à une réparation, retournez le téléphone à un revendeur Mitel autorisé.

Ces avis peuvent figurer sur le produit ou dans la documentation technique :

DANGER	La mention Danger indique une situation dangereuse imminente qui, si elle n'est pas évitée, entraîne la mort ou des blessures graves.
AVERTISSEMENT	Un avertissement indique une situation potentiellement dangereuse, laquelle, si elle n'est pas évitée, pourrait entraîner la mort ou des blessures graves.
MISE EN GARDE	Une mise en garde indique une situation potentiellement dangereuse, laquelle, si elle n'est pas évitée, pourrait entraîner une blessure légère ou moyenne, ou encore endommager l'équipement ou des biens.

Ce symbole peut figurer sur le produit :

	Le point d'exclamation à l'intérieur d'un triangle équilatéral indique que d'importantes consignes de fonctionnement et de maintenance (entretien courant) sont incluses dans la documentation fournie avec le produit.
--	-------------------------------------------------------------------------------------------------------------------------------------------------------------------------------------------------------------------------

Précautions et consignes importantes en matière de sécurité (France)

AVERTISSEMENT : NE LE BRANCHEZ PAS DIRECTEMENT SUR LE RÉSEAU TÉLÉPHONIQUE PUBLIC COMMUTÉ (RTPC). LA CONNEXION DE CET APPAREIL À UNE INSTALLATION HORS LIEUX OU HORS RÉSEAU, À UNE AUTRE INSTALLATION D'UN RÉSEAU NON PROTÉGÉ, OU À UN ÉQUIPEMENT AUTRE QUE LES INSTALLATIONS PRÉVUES PAR MITEL PEUT ENTRAÎNER DES RISQUES POUR LA SÉCURITÉ, UN FONCTIONNEMENT DÉFAILLANT OU DES DOMMAGES À L'ÉQUIPEMENT. "RÉSEAU NON PROTÉGÉ" SIGNIFIE TOUTE PORTION D'UN CIRCUIT SUJETTE À UN CONTACT ACCIDENTEL AVEC UN ÉCLAIRAGE ÉLECTRIQUE OU DES FILS ÉLECTRIQUES FONCTIONNANT SOUS UNE TENSION DE PLUS DE 300 V ENTRE LES CONDUCTEURS, OU SUJETTE À LA Foudre.

AVERTISSEMENT : SI ELLE EST UTILISÉE, LA PRISE DE SORTIE DOIT ÊTRE INSTALLÉE PRÈS DU MATÉRIEL ET FACILEMENT ACCESSIBLE POUR L'USAGER.

AVERTISSEMENT : UTILISEZ L'ADAPTEUR C.A PORTANT LE NUMÉRO DE PIÈCE 50006814, 50006822, 50006824, OU 51301151. SI LE RÉSEAU INFORMATIQUE FOURNIT UNE SOURCE D'ALIMENTATION, ELLE DEVRA ÊTRE COMPATIBLE AVEC LA NORME IEEE 802.3af OU 802.3at (SELON LA NÉGOCIATION REQUISE.)

AVERTISSEMENT : UTILISEZ UNIQUEMENT LE COMBINÉ FOURNI AVEC VOTRE TÉLÉPHONE IP. L'UTILISATION DE TOUT AUTRE COMBINÉ AVEC VOTRE TÉLÉPHONE IP RISQUE DE CAUSER UNE PERTE AUDITIVE EN CAS DE DÉCHARGE ÉLECTRIQUE SUR LE CÂBLAGE EXTÉRIEUR. L'ÉCOUTEUR DU COMBINÉ DE CE PRODUIT EST LÉGÈREMENT MAGNÉTIQUE ET PEUT ATTIRER DE PETITS OBJETS, COMME DES AGRAFES 26/6. VÉRIFIEZ QU'IL N'Y A PAS D'OBJETS MÉTALLIQUES SUR L'ÉCOUTEUR AVANT TOUTE UTILISATION.

Lorsque vous utilisez des équipements téléphoniques, observez toujours les consignes de sécurité afin de réduire les risques d'incendie, de décharge électrique ou de blessure, notamment :

- N'utilisez pas ce produit à proximité d'eau, par exemple près d'une baignoire, d'une cuvette, d'un évier ou d'un bac à laver, dans une cave humide ou près d'une piscine.
- Évitez d'utiliser un téléphone (hormis un modèle sans fil) pendant un orage. Un éclair pourrait présenter un risque de décharge électrique.
- N'utilisez pas le téléphone pour signaler une fuite de gaz si vous vous trouvez à proximité de celle-ci.

Entretien et réparation : Aucune des pièces que renferme ce téléphone ne peut être réparée par l'utilisateur. Pour procéder à une réparation, retournez le téléphone à un revendeur Mitel agréé.

Ces avis peuvent figurer sur le produit ou dans la documentation technique :

DANGER	La mention Danger indique une situation dangereuse imminente qui, si elle n'est pas évitée, entraîne la mort ou des blessures graves.
AVERTISSEMENT	Un avertissement indique une situation potentiellement dangereuse, laquelle, si elle n'est pas évitée, pourrait entraîner la mort ou des blessures graves.
MISE EN GARDE	La mention Attention indique une situation potentiellement dangereuse, laquelle, si elle n'est pas évitée, pourrait entraîner une blessure légère ou moyenne, ou encore endommager l'équipement ou des biens.

Ce symbole peut figurer sur le produit :

	Le point d'exclamation à l'intérieur d'un triangle équilatéral indique que d'importantes consignes de fonctionnement et de maintenance (entretien courant) figurent dans la documentation fournie avec le produit.
--	--------------------------------------------------------------------------------------------------------------------------------------------------------------------------------------------------------------------

Instrucciones y precauciones de seguridad importantes (América Latina)

ADVERTENCIA: NO REALICE LA CONEXIÓN DIRECTAMENTE A LA RED TELEFÓNICA PÚBLICA CONMUTADA (PSTN). CUALQUIER CONEXIÓN DE ESTE TELÉFONO A UNA APLICACIÓN FUERA DEL ESTABLECIMIENTO, APLICACIÓN FUERA DE LA PLANTA, APLICACIÓN DE LA PLANTA EXPUESTA O A CUALQUIER EQUIPO DISTINTO DE LA APLICACIÓN OBJETIVO, PUEDE PROVOCAR UNA OPERACIÓN DEFECTUOSA Y/O DAÑOS EN EL EQUIPO Y/O RIESGOS A LA SEGURIDAD. "PLANTA EXPUESTA" SIGNIFICA EL LUGAR EN QUE CUALQUIER PARTE DE LOS CIRCUITOS ESTÉ EXPUESTA A UN POSIBLE CONTACTO CON RELÁMPAGOS O CONDUCTORES DE CORRIENTE QUE FUNCIONEN A UN VOLTAJE QUE EXCEDA LOS 300V ENTRE CONDUCTORES, O ESTÉ EXPUESTA A DESCARGAS ELÉCTRICAS DE RAYOS.

ADVERTENCIA: SI SE UTILIZA UN ENCHUFE DE TOMACORRIENTE, ÉSTE SE DEBE UBICAR CERCA DEL EQUIPO Y EL USUARIO DEBE TENER UN FÁCIL ACCESO A EL.

ADVERTENCIA: USE EL ADAPTADOR DE CA APROBADO POR MITEL, NÚMERO DE PIEZA 50006814, 50006822, 50006824, U 51301151. SI EN LA LAN SE DISPONE DE ENERGÍA, SERÁ COMPATIBLE CON IEEE 802.3af U 802.3at (NEGOCIADO SEGÚN LO REQUERIDO.)

ADVERTENCIA: USE EL AURICULAR PROVISTO SOLO CON EL TELÉFONO IP. EL USO DE CUALQUIER OTRO AURICULAR CON EL TELÉFONO IP PUEDE CAUSAR LA PÉRDIDA DE LA AUDICIÓN EN CASO DE UNA DESCARGA ELÉCTRICA POR RAYOS EN EL CABLEADO EXTERIOR DE LA PLANTA. LA ZONA DEL PROTECTOR DEL AURICULAR DEL PRODUCTO ES LIGERAMENTE MAGNÉTICA Y PUEDE JUNTAR PEQUEÑOS OBJETOS METÁLICOS, COMO GRAPAS DE CALIBRE 26/6. REVISE QUE ZONA DEL PROTECTOR DEL AUDIFONO NO TENGA OBJETOS METÁLICOS ANTES DE USARLO.

Al usar el equipo telefónico, siempre se deben tomar precauciones básicas de seguridad para reducir el riesgo de incendio, descarga eléctrica y lesiones personales, incluido lo siguiente:

- No use este producto cerca del agua, por ejemplo, cerca de una bañera, lavamanos, lavaplatos o lavadero, en un sótano húmedo o cerca de una piscina.
- Evite usar un teléfono (que no sea un teléfono inalámbrico) durante una tormenta eléctrica. Puede existir un leve riesgo de descarga eléctrica debido a rayos.
- No utilice el teléfono para informar de un escape de gas en las proximidades del mismo.


Mantenimiento y reparación: Los teléfonos no contienen piezas útiles para el usuario. Para reparaciones, envíe el aparato a un distribuidor Mitel autorizado.

Estos avisos pueden aparecer en el producto o en la documentación técnica.

PELIGRO	Peligro indica una situación de riesgo inminente que, si no se evita, puede provocar la muerte o lesiones graves.
ADVERTENCIA	Advertencia indica una posible situación de peligro que, si no se evita, puede ocasionar la muerte o lesiones graves.

PRECAUCIÓN	Precaución indica una posible situación peligrosa que, si no se evita, puede ocasionar lesiones menores o moderadas y/o daños a los equipos o a la propiedad.
------------	---------------------------------------------------------------------------------------------------------------------------------------------------------------

Este símbolo puede aparecer en el producto:

	El signo de exclamación dentro de un triángulo equilátero indica que se incluyen instrucciones importantes de operación y mantenimiento (servicio) en la información que acompaña al producto.
---------------------------------------------------------------------------------	------------------------------------------------------------------------------------------------------------------------------------------------------------------------------------------------

Medidas de seguridad y precauciones importantes (España)

ADVERTENCIA: NO CONECTE DIRECTAMENTE EL TELÉFONO A LA RED TELEFÓNICA CONMUTADA PÚBLICA (RTC) CUALQUIER CONEXIÓN DE ESTE TELÉFONO A UNA APLICACIÓN AJENA A LAS INSTALACIONES O A LA PLANTA, A CUALQUIER OTRA APLICACIÓN EXPUESTA DE LA PLANTA, O A CUALQUIER EQUIPO QUE DIFIERA DEL ESTABLECIDO, PUEDE SUPONER UN RIESGO PARA LA SEGURIDAD Y/ O UN FUNCIONAMIENTO DEFECTUOSO, ASÍ COMO DAÑOS AL EQUIPO. POR "PLANTA EXPUESTA" SE ENTIENDE CUALQUIER PARTE DEL CIRCUITO QUE ESTE EXPUESTA AL CONTACTO ACCIDENTAL CON ILUMINACIÓN ELÉCTRICA O CONDUCTORES DE ENERGÍA CON UN VOLTAJE SUPERIOR A 300 V ENTRE CONDUCTORES O QUE ESTÉ EXPUESTA A DESCARGAS ELÉCTRICAS.

ADVERTENCIA: SI SE UTILIZA, EL ENCHUFE DEBE ESTAR SITUADO CERCA DEL EQUIPO Y FÁCILMENTE ACCESIBLE PARA EL USUARIO.

ADVERTENCIA: UTILIZAR ADAPTADORES DE ALIMENTACIÓN APROBADOS POR MITEL, NÚMERO DE PIEZA 50006814, 50006822, 50006824, U 51301151. SI HAY ALIMENTACIÓN A TRAVÉS DE LAN DISPONIBLE, DEBE SER CONFORME A LA NORMA IEEE 802.3af U 802.3at (NEGOCIACIÓN SEGÚN REQUISITOS.)

ADVERTENCIA: UTILICE ÚNICAMENTE EL AURICULAR QUE SE PROPORCIONA JUNTO CON EL TELÉFONO IP. EL USO DE CUALQUIER OTRO AURICULAR CON EL TELÉFONO IP PODRÍA GENERAR UNA PÉRDIDA DE AUDICIÓN SI CAYERA UN RAYO EN EL SISTEMA EXTERIOR DE CABLEADO DE LA PLANTA. LA ZONA DEL AURICULAR DE ESTE PRODUCTO ES LIGERAMENTE MAGNÉTICA Y PODRÍA ATRAER PEQUEÑOS OBJETOS METÁLICOS, COMO GRAPAS DE TAMAÑO 26/6. COMPRUEBE QUE NO HAYA NINGÚN OBJETO METÁLICO EN LA ZONA DEL AURICULAR ANTES DE UTILIZAR EL EQUIPO.

Al utilizar el equipo del teléfono, se deberán seguir las siguientes precauciones de seguridad básica en todo momento para reducir el riesgo de incendio, descarga eléctrica y daños a personas:


- No utilice este producto cerca del agua, por ejemplo, cerca de una bañera, lavabo, fregadero o lavadero, en un sótano húmedo o cerca de una piscina.
- Evite utilizar el teléfono (con excepción de los teléfonos inalámbricos) durante una tormenta eléctrica. Puede existir un leve riesgo de descarga eléctrica debido a los rayos.
- No utilice el teléfono para informar de un escape de gas en las proximidades del mismo.

Mantenimiento y reparación: No contienen piezas que pueda utilizar el usuario. Si desea realizar una reparación, entregue el teléfono a un proveedor autorizado de Mitel.

Estos avisos aparecen tanto en el producto como en la documentación técnica.

PELIGRO	Peligro indica una situación de riesgo inminente que, si no se evita, puede provocar la muerte o lesiones graves.
ADVERTENCIA	Advertencia indica una posible situación de peligro que, si no se evita, puede ocasionar la muerte o lesiones graves.
PRECAUCIÓN	Precaución indica una posible situación peligrosa que, si no se evita, puede ocasionar lesiones menores o moderadas o daños a los equipos o a la propiedad.

Puede aparecer este símbolo en el producto.

	El signo de exclamación dentro de un triángulo equilátero indica que se incluyen instrucciones importantes de operación y mantenimiento (servicio) en la documentación que acompaña al producto.
-------------------------------------------------------------------------------------	--------------------------------------------------------------------------------------------------------------------------------------------------------------------------------------------------

Instruções e precauções de segurança importantes (Portugal)

AVISO: NÃO LIGUE DEIRECTAMENTE À REDE TELEFÓNICA PÚBLICAS COMUTADA (PSTN). QUALQUER LIGAÇÃO DESTE APARELHO A UMA APLICAÇÃO EXTERIOR ÀS INSTALAÇÕES, A UMA APLICAÇÃO EXTERIOR AO MATERIAL, A QUALQUER OUTRA APLICAÇÃO DE MATERIAL EXPOSTO OU A QUALQUER EQUIPAMENTO DIFERENTE DA APLICAÇÃO PLANEADA PODE POR EM PERIGO A SEGURANÇA E RESULTAR NUM FUNCIONAMENTO ANORMAL E/OU NUMA AVÁRIA DO EQUIPAMENTO. "MATERIAL EXPOSTO" SIGNIFICA QUALQUER PARTE DO CIRCUITO SUJEITA A CONTACTO ACIDENTAL COM RELÂMPAGOS OU CONDUTORES ELÉCTRICOS, A FUNCIONAR A UMA TENSÃO SUPERIOR A 300V ENTRE CONDUTORES, OU A QUEDA DE RELÂMPAGOS.

AVISO: A TOMADA, SE UTILIZADA, DEVE SER LOCALIZADA PERTO DO EQUIPAMENTO E FACILMENTE ACESSÍVEL PELO UTILIZADOR.

AVISO: UTILIZAR ADAPTADORES DE CORRENTE ALTERNADA DA MITEL COM O NÚMERO DE REFERÊNCIA 50006814, 50006822, 50006824, OU 51301151. SE ESTIVER DISPONÍVEL ALIMENTAÇÃO ATRAVÉS DA REDE LOCAL, A MESMA DEVE SER COMPATÍVEL COM A NORMA IEEE 802.3af OU 802.3at (NEGOCIADO CONFORME NECESSÁRIO.)

AVISO: UTILIZE APENAS O AUSCULTADOR FORNECIDO COM O SEU TELEFONE IP. A UTILIZAÇÃO DE QUALQUER OUTRO AUSCULTADOR COM O SEU TELEFONE IP PODE CAUSAR PERDA DE AUDIÇÃO NO CASO DE QUEDA DE UM RAIO NA INSTALAÇÃO ELÉTRICA EXTERIOR. A ZONA DO AUSCULTADOR DO MICROTELEFONE DESTE PRODUTO É LEIGERAMENTE MAGNÉTICA E PODE ATRAIR PEQUENOS OBJETOS METÁLICOS, TAIS COMO AGRAFOS N.º 26/6. ANTES DE UTILIZAR, VERIFIQUE SE A ZONA DO AUSCULTADOR APRESENTA OBJETOS METÁLICOS.

Durante a utilização do equipamento telefónico, devem ser sempre seguidas as precauções de segurança básicas, de modo a reduzir o risco de incêndio, choque eléctrico e lesão física, incluindo as seguintes:


- Não utilize este produto perto de água, por exemplo, junto a uma banheira, lavatório, lava-loiças ou tanque de lavar roupa, sobre o chão molhado ou perto de uma piscina
- Evite utilizar um telefone (diferente de um telefone sem fios) durante uma trovoadas com relâmpagos. Pode correr um risco remoto de choque eléctrico causado pelo relâmpago.
- Não utilize o telefone para participar uma fuga de gás nas proximidades da fuga.

Manutenção e reparação: Não existem peças com necessidade de reparação dentro dos telefones. Para reparação, envie o telefone a um agente Mitel autorizado.

É possível que os seguintes avisos apareçam no produto ou na documentação técnica.

PERIGO	'Perigo' indica uma situação eminentemente perigosa que, se não for evitada, resultará na morte ou em ferimentos graves.
AVISO	'Aviso' indica uma situação potencialmente perigosa que, se não for evitada, poderá resultar na morte ou em ferimentos graves.
ATENÇÃO	'Atenção' indica uma situação potencialmente perigosa que, se não for evitada, poderá resultar em ferimentos ligeiros ou moderados e/ou em danos materiais.

É possível que os seguintes símbolos apareçam no produto:

	O ponto de exclamação dentro de um triângulo equilátero indica que os documentos que acompanham o produto incluem instruções de funcionamento e de manutenção (reparação) importantes.
------------------------------------------------------------------------------------	----------------------------------------------------------------------------------------------------------------------------------------------------------------------------------------

Wichtige Sicherheitshinweise und Vorsichtsmaßnahmen (Deutschland)

WARNUNG: NICHT DIREKT AN DAS ÖFFENTLICHE TELEFONNETZ (R2) ANSCHLIESSEN. ALLE VERBINDUNGEN DIESER ANLAGE MIT EINER AUSSERHAUS-ANWENDUNG, EINER AUSSERBETRIEBLICHEN ANWENDUNG ODER EINER ANDEREN EXPONIERTEN BETRIEBSANWENDUNG ODER ANDEREN GERÄTEN ALS DER VORGESEHENEN ANWENDUNG KÖNNEN ZU EINEM SICHERHEITSRISIKO UND/ODER EINEM FEHLERHAFTEN BETRIEB UND/ODER EINER BESCHÄDIGUNG DES GERÄTS FÜHREN. ALS „EXPONIERTER BETRIEB“ WIRD IN DIESEM ZUSAMMENHANG DIE MÖGLICHKEIT BEZEICHNET, DASS DIE LEITUNG VERSEHENTLICH MIT BLITZ ODER STROMLEITERN KONTAKT HABEN KANN, DIE EINE SPANNUNG VON MEHR ALS 300 V ZWISCHEN LEITERN AUFWEISEN ODER IN DIE DER BLITZ EINSCHLAGEN KANN.

WARNUNG: DIE STECKDOSE, FALLS VERWENDET, MUSS SICH IN DER NÄHE DES GERÄTS BEFINDEN UND FÜR DEN BENUTZER LEICHT ZUGÄNGLICH SEIN.

WARNUNG: VON MITEL ZUGELASSENEN NETZADAPTER (TEILENUMMER 50006814, 50006822, 50006824, ODER 51301151) VERWENDEN. FALLS DIE STROMVERSORGUNG ÜBER DAS LAN ERFOLGT, MUSS DIESE MIT IEEE 802.3af ODER 802.3at KONFORM SEIN (WIRD AUTOMATISCH ERMITTELT.)

WARNUNG: VERWENDEN SIE NUR DEN MIT DEM IP-TELEFON GELIEFERTEN HÖRER. BEI VERWENDUNG EINES ANDEREN HÖRERS AN IHREM IP-TELEFON KÖNNEN UNTER UMSTÄNDEN GEHÖRSCHADEN VERURSACHT WERDEN. WENN EIN BLITZ IN DIE AUSSENVERKABELUNG EINSCHLÄGT, DIE HÖRMUSCHEL DES HANDAPPARATS DES PRODUKTS IST LEICHT MAGNETISCH UND KANN KLEINE METALLOBJEKTE ANZIEHEN, ZUM BEISPIEL HEFTKLAMMERN DER GRÖÖE 26/6. PRÜFEN SIE DIE HÖRMUSCHEL VOR DER VERWENDUNG AUF METALLOBJEKTE.

Beim Einsatz Ihres Telefonapparats sollten stets grundlegende Vorsichtsmaßnahmen ergriffen werden, um die Gefahr eines Brands, elektrischen Schlags oder von Körperverletzungen auszuschließen. Dazu zählen:


- Das Produkt darf nicht in der Nähe von Wasser, z. B. in der Nähe von Badewannen, Waschschüsseln, Spülbecken oder Waschwannen, in feuchten Kellerräumen oder in der Nähe von Swimmingpools verwendet werden.
- Verwenden Sie kein Telefon (Ausnahme: Schnurlostelefone) während eines Gewitters. Ein elektrischer Schlag infolge eines Blitzeinschlags kann nicht ausgeschlossen werden.
- Melden Sie ein Gasleck nicht mit einem Telefon, wenn Sie sich in der Nähe des Lecks befinden.

Wartung und Instandsetzung: Das Telefon hat keine Komponenten, die vom Benutzer gewartet werden können. Sollte eine Reparatur erforderlich sein, übergeben Sie den Apparat einem autorisierten Mitel-Händler.

Die folgenden Hinweise können am Produkt angebracht sein oder in der technischen Dokumentation verwendet werden.

GEFAHR	Gefahr bezeichnet eine unmittelbar gefährliche Situation, die, falls sie nicht ausgeschlossen werden kann, zum Tode oder zu einer schweren Körperverletzung führt.
WARNUNG	Warnung bezeichnet eine potenziell gefährliche Situation, die, falls sie nicht ausgeschlossen werden kann, zum Tode oder zu einer schweren Körperverletzung führen kann.
VORSICHT	Vorsicht bezeichnet eine potenziell gefährliche Situation, die, falls sie nicht ausgeschlossen werden kann, zu leichten oder mittelschweren Körperverletzungen führen und/oder Geräte oder Inventar beschädigen kann.

Das folgende Symbol kann auf dem Produkt angebracht sein:

	Das Ausrufezeichen in einem gleichschenkligen Dreieck gibt an, dass die Begleitdokumentation des Produkts wichtige Betriebs- und Wartungsanleitungen enthält.
-------------------------------------------------------------------------------------	---------------------------------------------------------------------------------------------------------------------------------------------------------------

Istruzioni e precauzioni per la sicurezza (Italia)

AVVERTENZA: NON COLLEGARE IL PRODOTTO DIRETTAMENTE ALLA RETE TELEFONICA PUBBLICA COMMUTATA (PSTN). L'EVENTUALE COLLEGAMENTO DI QUESTO TELEFONO A UN'APPLICAZIONE CHE NON SI TROVI IN SEDE O ALL'INTERNO DI UN IMPIANTO O A QUALSIASI APPLICAZIONE IN UN IMPIANTO ESPOSTO O A QUALSIASI APPARECCHIATURA NON SPECIFICATA PUÒ COMPORTARE UN RISCHIO PER LA SICUREZZA E/O IL FUNZIONAMENTO DIFETTOSO E/O DANNI ALL'APPARECCHIATURA. "IMPIANTO ESPOSTO" SIGNIFICA QUALSIASI PARTE DEL CIRCUITO SOGGETTO A CONTATTI ACCIDENTALI CON CONDUTTORI DI ENERGIA ELETTRICA O ALIMENTAZIONE FUNZIONANTI A UNA TENSIONE SUPERIORE A 300 V OPPURE SOGGETTO A SCARICHE ELETTRICHE.

AVVERTENZA: LA PRESA ELETTRICA DEVE TROVARSI VICINO ALL'APPARECCHIO E DEVE ESSERE FACILMENTE ACCESSIBILE ALL'UTENTE.

AVVERTENZA: UTILIZZARE ESCLUSIVAMENTE ADATTATORI CA CON NUMERO PARTE 50006814, 50006822, 50006824, O 51301151. SE LA LAN DISPONE DI UN'ALIMENTAZIONE, QUESTA DEVE ESSERE CONFORME A IEEE 802.3af O 802.3at (NEGOZIATO COME RICHIESTO).

AVVERTENZA: UTILIZZARE ESCLUSIVAMENTE IL RICEVITORE FORNITO CON IL TELEFONO IP. L'UTILIZZO DI ALTRI RICEVITORI CON IL TELEFONO IP POTREBBE CAUSARE UNA PERDITA DELL'UDITO NEL CASO IN CUI IL CABLAGGIO ESTERNO DELL'IMPIANTO VENGA COLPITO DA UN FULMINE. LA REGIONE DELL'AURICOLARE DI QUESTO PRODOTTO È LEGGERMENTE MAGNETICA E PUÒ ATTIRARE PICCOLI OGGETTI METALLICI. AD ESEMPIO PUNTINE 26/6. PRIMA DELL'USO CONTROLLARE CHE NELLA REGIONE DELL'AURICOLARE NON VI SIANO OGGETTI METALLICI.

Quando si utilizza il telefono, occorre sempre osservare le norme di sicurezza, incluse le seguenti, al fine di evitare rischi di incendio, scosse elettriche o danni alle persone:


- Non esporre il prodotto ad acqua. Ad esempio, non utilizzarlo in prossimità di una vasca da bagno, un lavabo o un lavandino, in ambienti umidi o vicino a una piscina.
- Evitare di utilizzare il telefono (che non sia di tipo senza fili) durante una tempesta elettromagnetica. Anche se si tratta di un'eventualità remota, è possibile prendere scosse elettriche originate dai fulmini.
- Non utilizzare il telefono per comunicare una fuga di gas in prossimità del luogo in cui si è verificata la fuga.

Manutenzione e riparazione: All'interno dei telefoni non vi sono parti riparabili dall'utente. Per la riparazione, rivolgersi a un centro autorizzato Mitel.

Gli avvisi riportati di seguito possono essere riportati sul prodotto o nella documentazione tecnica.

PERICOLO	Indica una situazione altamente pericolosa che, se non evitata, può causare la morte o lesioni gravi alle persone.
AVVERTENZA	Indica una situazione potenzialmente pericolosa che, se non evitata, può causare la morte o lesioni gravi alle persone.
ATTENZIONE	Indica una situazione potenzialmente pericolosa che, se non evitata, può causare lesioni minori alle persone e/o danni materiali all'apparecchio o alla proprietà.

Questo simbolo può essere presente sul prodotto:

	Il punto esclamativo contenuto in un triangolo indica che nella documentazione fornita con il prodotto sono riportate importanti istruzioni sul funzionamento e sulla manutenzione.
------------------------------------------------------------------------------------	-------------------------------------------------------------------------------------------------------------------------------------------------------------------------------------

Belangrijke veiligheidsinstructies en voorzorgsmaatregelen (Nederlands)

WAARSCHUWING: SLUIT DE TELEFOON NIET DIRECT AAN OP HET OPENBARE TELEFOONNETWERK (PSTN). AANSLUITING VAN DEZE TELEFOON OP EEN APPLICATIE BIJTEN HET BEDRIJF OF BEDRIJFSTERREIN, EEN BLOOTGESTELDE APPLICATIE OF ANDERE APPARATUUR DAN DE BEDOELDE MITEL-APPLICATIE KAN LEIDEN TOT GEVAAR, EN/OF GEBREKKEIGE WERKING, EN/OF BESCHADIGING VAN DE APPARATUUR. EEN 'BLOOTGESTELDE APPLICATIE' IS EEN APPLICATIE WAARVAN EEN DEEL VAN HET CIRCUIT ONDERWORPEN IS AAN ONVOORZIEN CONTACT MET ELEKTRISCHE VERLICHTING OF STROOMGELEIDERS MET EEN VOLTAGE VAN MEER DAN 300V TUSSEN GELEIDERS, OF ONDERWORPEN IS AAN BLIKSEMINSLAGEN.

WAARSCHUWING: ALS U EEN STOPCONTACT GEBRUIKT, MOET HET ZICH DICHTBIJ DE APPARATUUR BEVINDEN EN MAKKELIJK BEREIKBAAR ZIJN VOOR DE GEBRUIKER.

WAARSCHUWING: GEBRUIK DE DOOR MITEL GOEDGEKEURDE ADAPTER' ONDERDEELNUMMER 50006814, 50006822, 50006824, OF 51301151. ALS VOEDING VIA HET LAN BESCHIKBAAR IS, MOET DEZE VOLDOEN AAN IEEE 802.3af OF IEEE 802.3at (OVERREENGEKOMEN ZOALS VEREIST).

WAARSCHUWING: GEBRUIK ALLEEN DE HANDSET DIE WORDT GELEVERD BIJ UW IP-TELEFOON. HET GEBRUIK VAN ENIGE ANDERE HANDSET MET UW IP-TELEFOON KAN MOGELIJK GEHOORVERLIES VEROORZAKEN BIJ EEN BLIKSEMINSLAG IN DE BUITENBEDRADING VAN HET BEDRIJF. HET OORSCHHELPGEDEELTE VAN DE HANDSET VAN DIT PRODUCT IS LICHT MAGNETISCH EN KAN KLEINE METALEN VOORWERPEN, ZOALS NIETJES, AANTREKKEN. CONTROLEER DE OORSCHHELP VOOR GEBRUIK OP METALEN VOORWERPEN.

Tijdens het gebruik van de telefoonapparatuur moet u altijd de basisvoorzorgsmaatregelen voor veiligheid in acht nemen om het risico van brand, elektrische schok en verwondingen aan personen tot een minimum te beperken. Houd ook rekening met het volgende:

- Gebruik dit product niet in de buurt van water, bijvoorbeeld in de buurt van een bad, een wasbak, gootsteen of wastobbe, in een natte kelder of in de buurt van een zwembad.
- Vermijd het gebruik van een telefoon (behalve een draadloos model) tijdens een onweersbui. Het risico bestaat dat u een elektrische schok krijgt door bliksemingslag.
- Gebruik de telefoon niet om een gaslek te melden in de buurt van een lek.

Onderhoud en reparatie: De telefoons bevatten geen onderdelen die door de gebruiker moeten worden onderhouden. Voor reparatie kunt u de telefoon retourneren naar een geautoriseerde leverancier van Mitel-producten.

Deze kennisgevingen worden mogelijk weergegeven op het product of in de technische documentatie:

GEVAAR	Gevaar verwijst naar een dreigende gevaarlijke situatie die, wanneer deze niet wordt vermeden, de dood of ernstige verwondingen tot gevolg kan hebben.
WAARSCHUWING	Waarschuwing verwijst naar een mogelijk gevaarlijke situatie die, wanneer deze niet wordt vermeden, de dood of ernstige verwondingen tot gevolg kan hebben.
VOORZICHTIG	Voorzichtig verwijst naar een mogelijk gevaarlijke situatie die, wanneer deze niet wordt vermeden, lichte verwondingen of letsel en/of schade aan de apparatuur of eigendommen tot gevolg kan hebben.

Dit symbool wordt mogelijk op het product weergegeven:

	Een driehoek met een uitroepteken geeft aan dat de documentatie bij het product belangrijke instructies bevat voor de bediening en het onderhoud van de apparatuur.
-------------------------------------------------------------------------------------	---------------------------------------------------------------------------------------------------------------------------------------------------------------------

5701183101RE

™, ® Trademark of Mitel Networks Corporation.
© Copyright 2017, Mitel Networks Corporation. All rights reserved.

™, ® Marque de commerce de Mitel Networks Corporation.
© Copyright 2017, Mitel Networks Corporation. Tous droits réservés.

™, ® Marca registrada de Mitel Networks Corporation.
© Copyright 2017, Mitel Networks Corporation. Todos los derechos reservados.

™, ® Marca registrada da Mitel Networks Corporation.
© Copyright 2017, Mitel Networks Corporation. Todos os direitos reservados.

™, ® Marke der Mitel Networks Corporation.
© Copyright 2017, Mitel Networks Corporation. Alle Rechte vorbehalten.

™, ® Marchio di Mitel Networks Corporation
© Copyright 2017, Mitel Networks Corporation. Tutti i diritti riservati.

™, ® Handelsmerk van Mitel Networks Corporation.
© Copyright 2017, Mitel Networks Corporation. Alle rechten voorbehoud

Printed in China